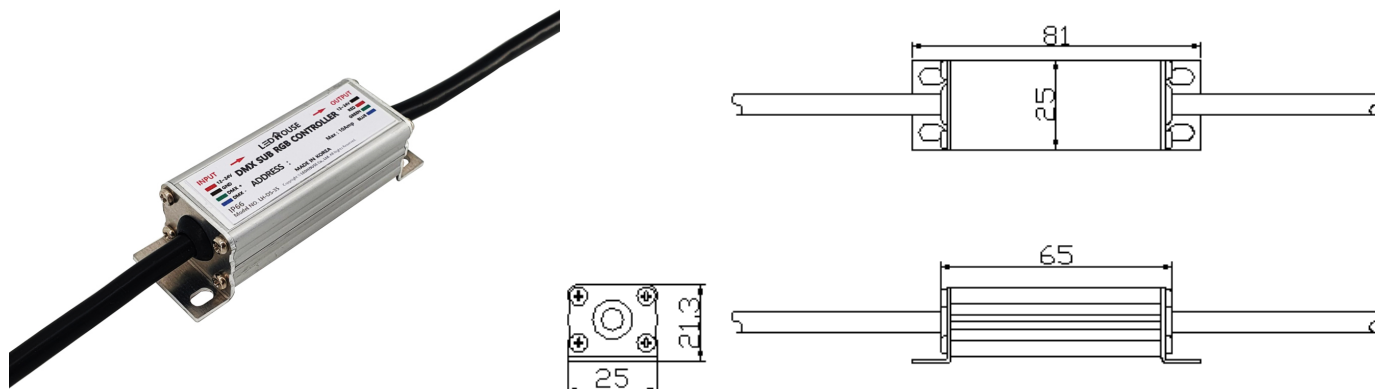


DMX RGB SUB Controller(LH-DS-35)



Features

- *.Waterproof(IP66)
- *.Full aluminum body
- *.Suitable for RGB full color control

The Technical Specifications of DMX 3 channel waterproof SUB Controller(LH-DS-35)

Descriptions	Specifications	Remarks
1. Power Consumption	1 W	
2. Operating Voltage	9~ 24 VDC	
3. Channel input	Wire input	from LH-DMX-512
4. Input signal	TIA/EIA-485-A	
5. Output signal	PWM 3 channel output	
6. Input impedance	150K ohm	
7. Max. output current	3 Amp per Channel(Total 9 Amp)	200 Watt at 24V
8. Data input	DMX512 250Kbps	
9. Waterproof	IP66	
10. line length	200mm	
11. Operating Temperature	-20°C ~ +60°C	
12. Outline Size	81mm x 25mm x (H)22mm	
13. Weight	63g	